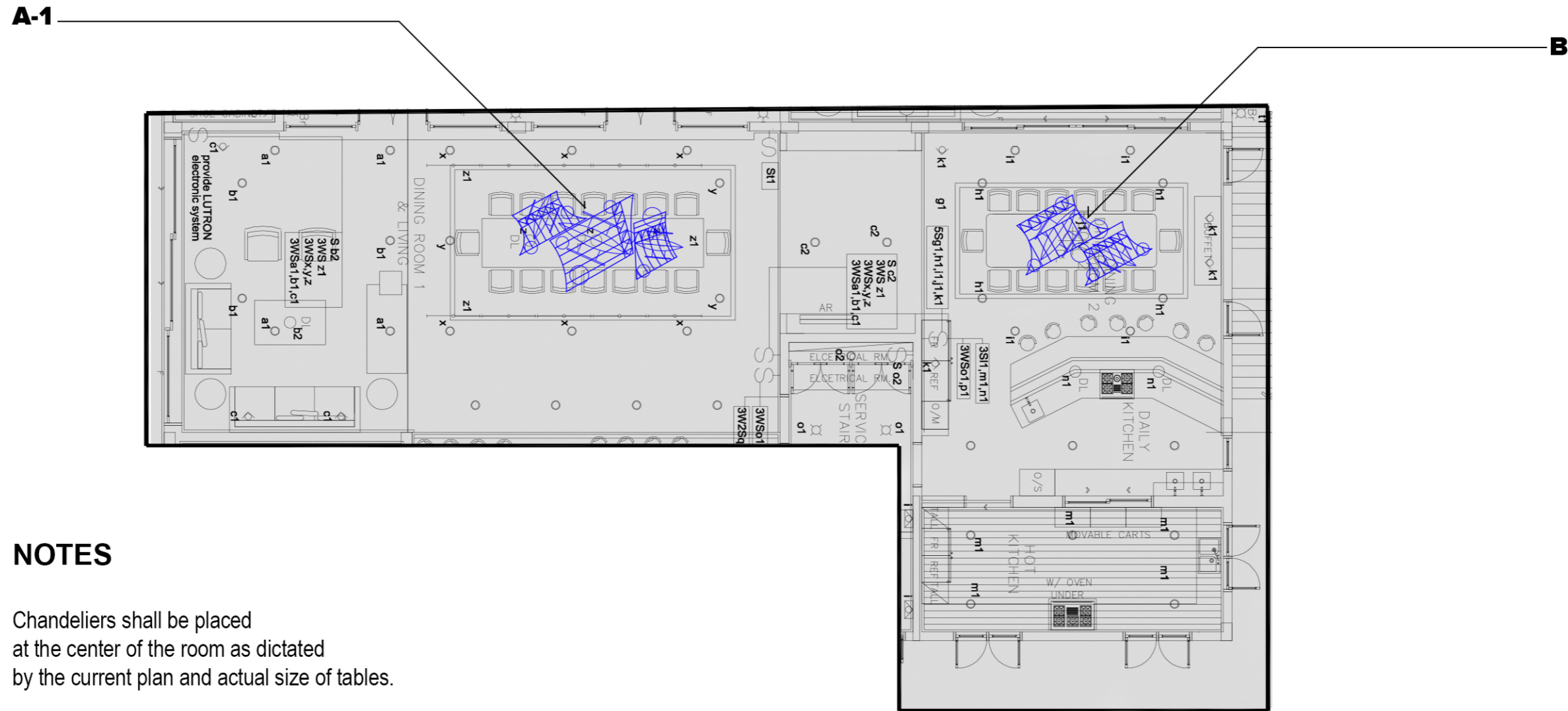




PERSPECTIVE A-1 & B

# DINING AREA CEILING PLAN CHANDELIERS

SCALE 1:100M

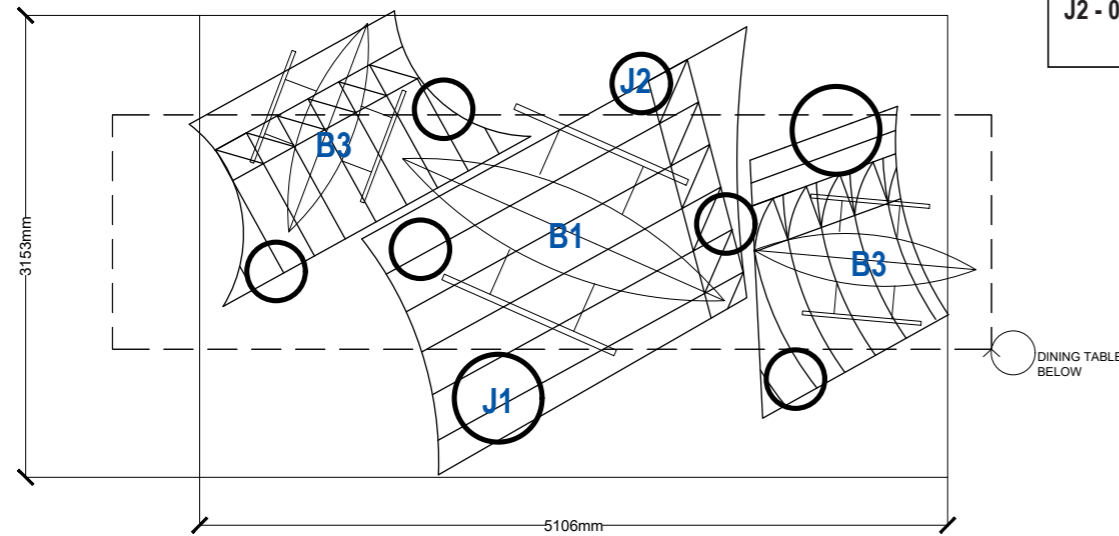


## NOTES

Chandeliers shall be placed at the center of the room as dictated by the current plan and actual size of tables.

# CHANDELIER A - 1 PLAN VIEW & DETAIL

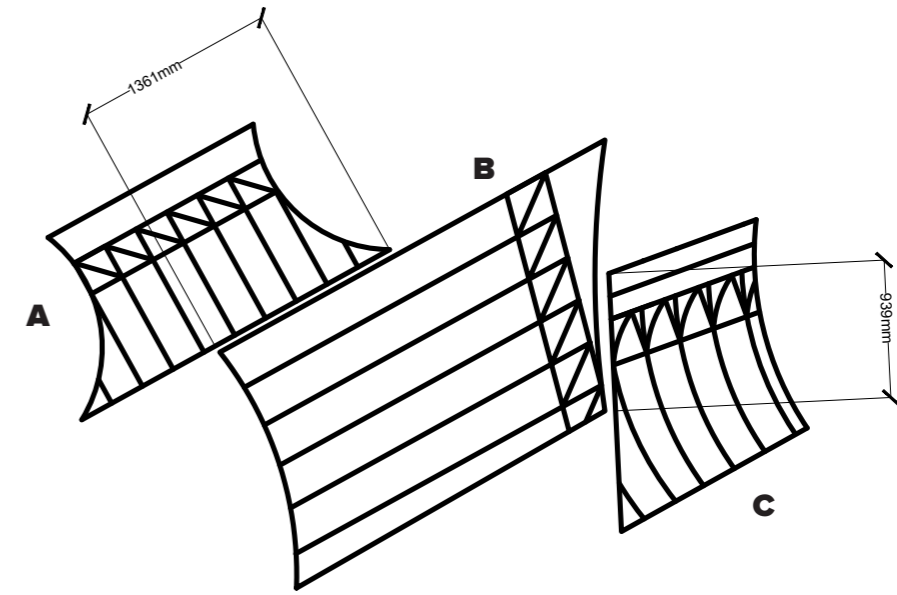
SCALE 1:50M



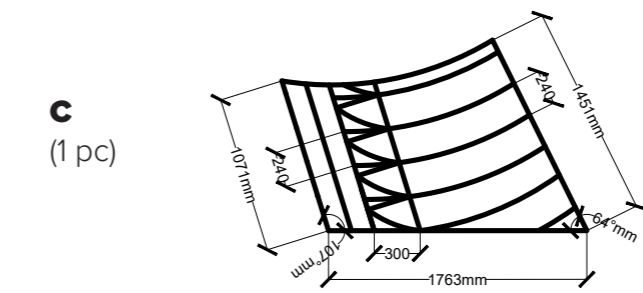
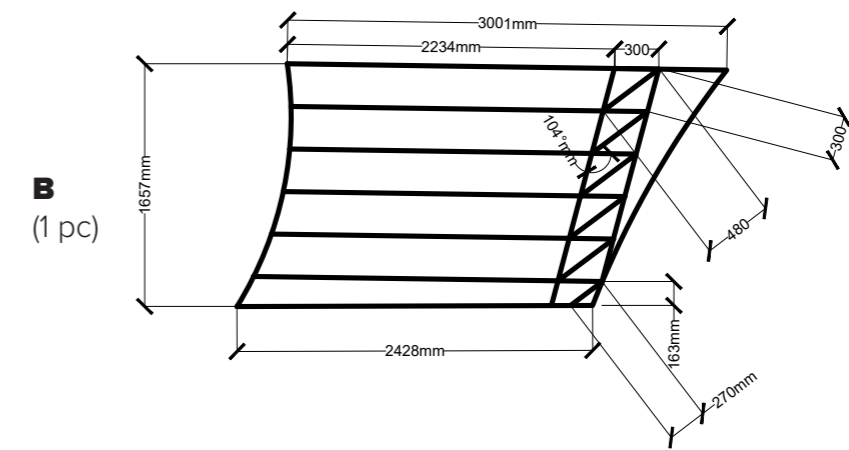
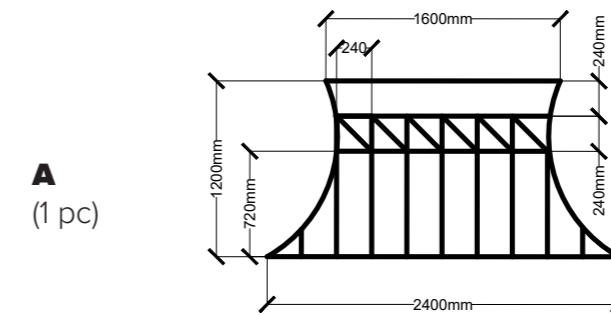
### LEGEND

- B1 - LARGE BOAT (2X1.7M)
- B3 - SMALL BOAT (1.2X1.0M)
- J1 - 0.30M DIA. JELLYFISH FIXTURE
- J2 - 0.20M DIA. JELLYFISH FIXTURE

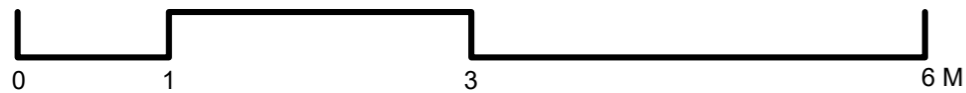
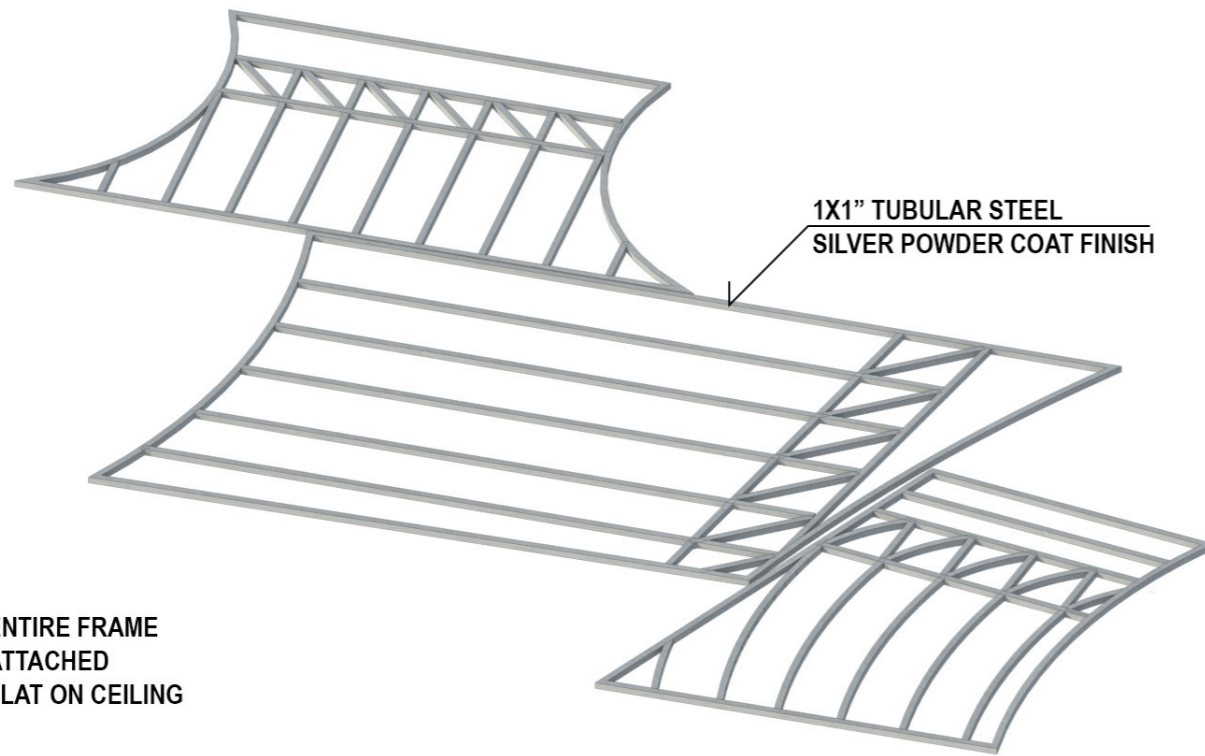
## CONFIGURATION



## INDIVIDUAL COMPONENTS

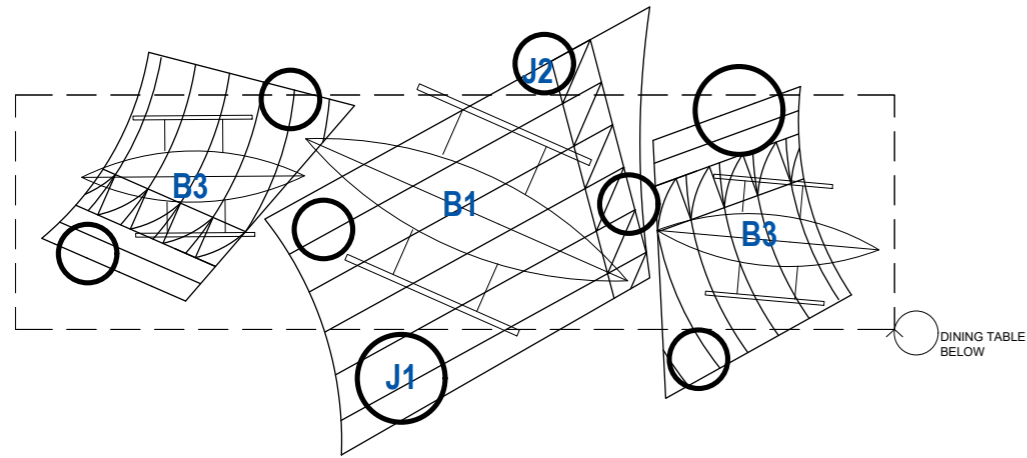


## ISOMETRIC DETAIL



# CHANDELIER A - 2 PLAN VIEW & DETAIL

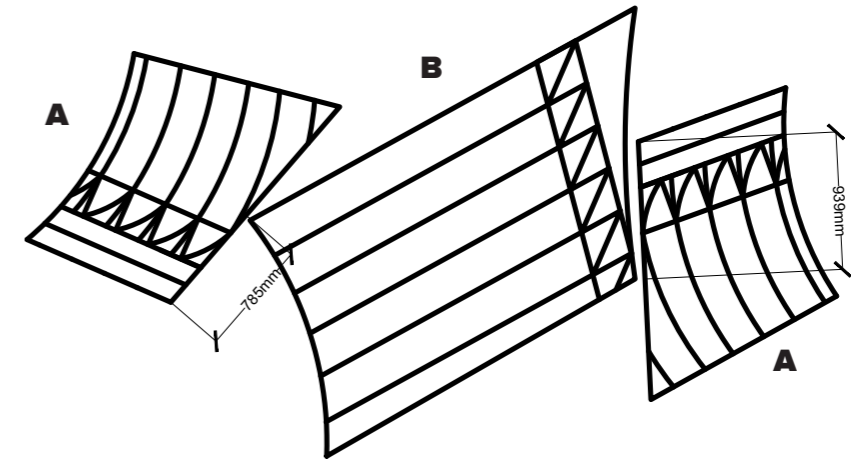
SCALE 1:50M



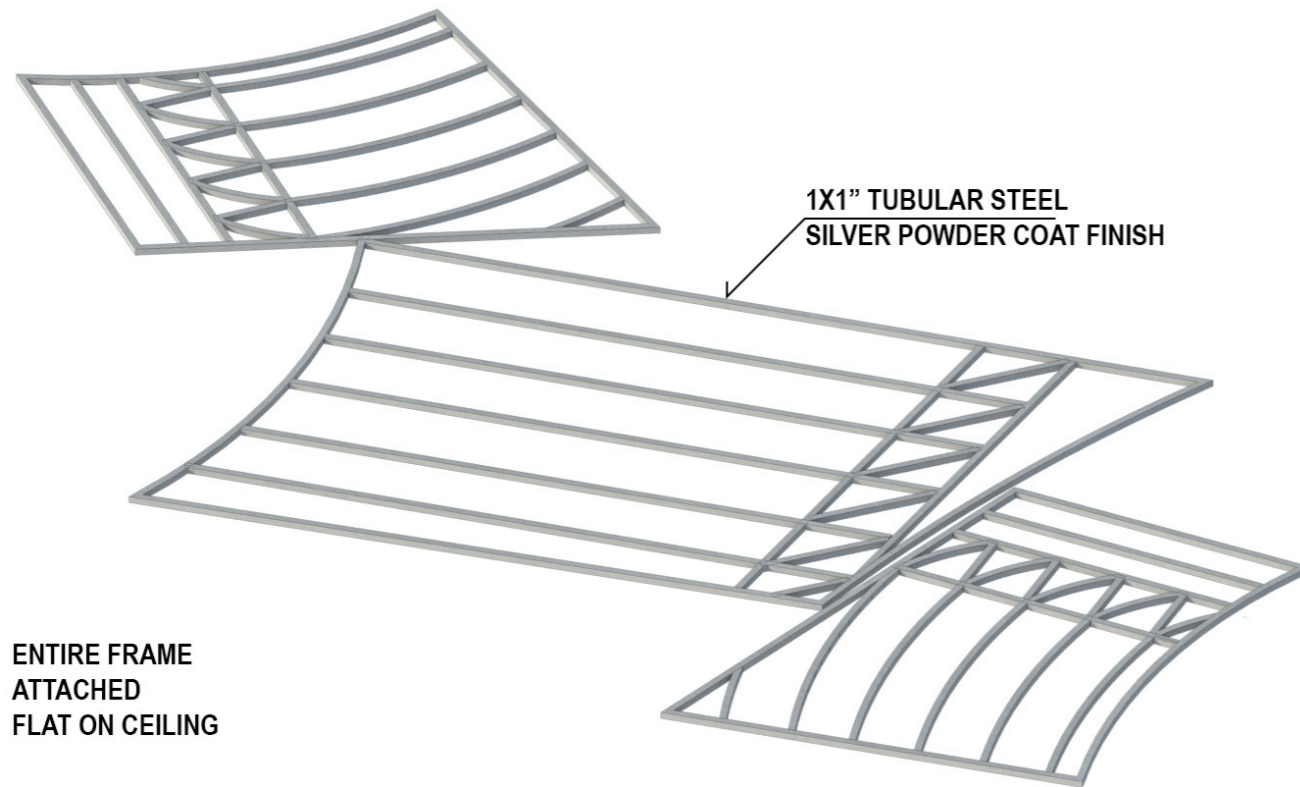
**LEGEND**

- B1 - LARGE BOAT (2X1.7M)
- B3 - SMALL BOAT (1.2X1.0M)
- J1 - 0.30M DIA. JELLYFISH FIXTURE
- J2 - 0.20M DIA. JELLYFISH FIXTURE

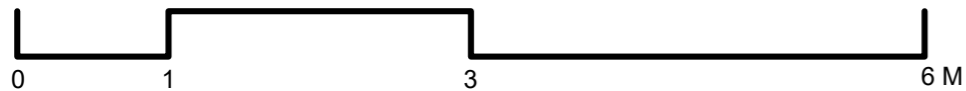
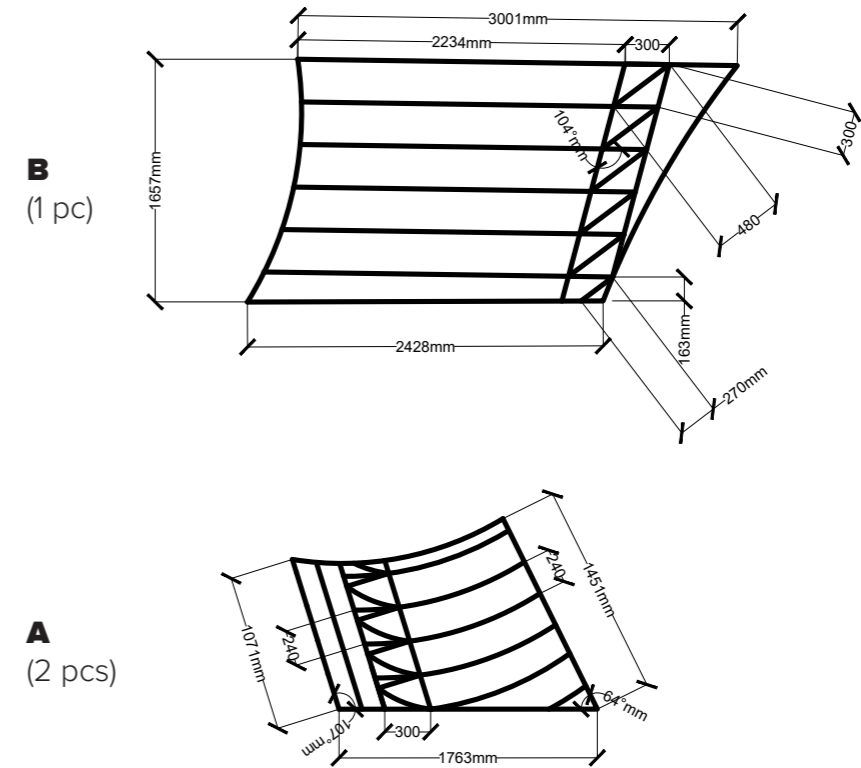
## CONFIGURATION



## ISOMETRIC DETAIL



## INDIVIDUAL COMPONENTS

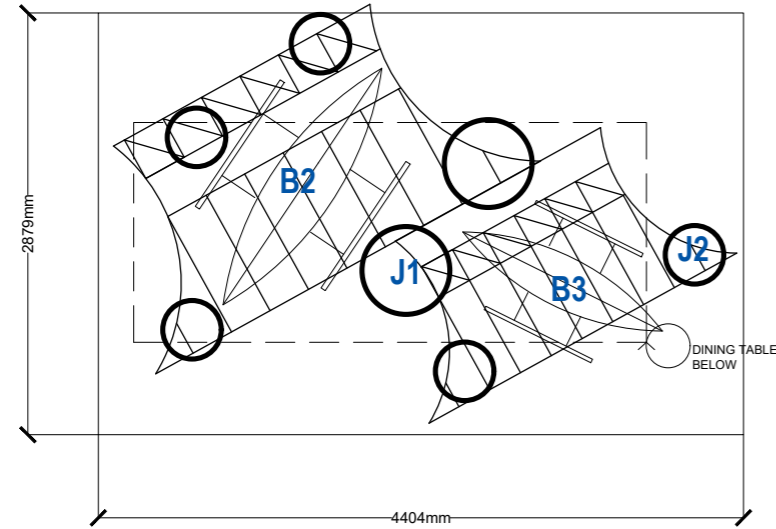




PERSPECTIVE A-1

# CHANDELIER B PLAN VIEW & DETAIL

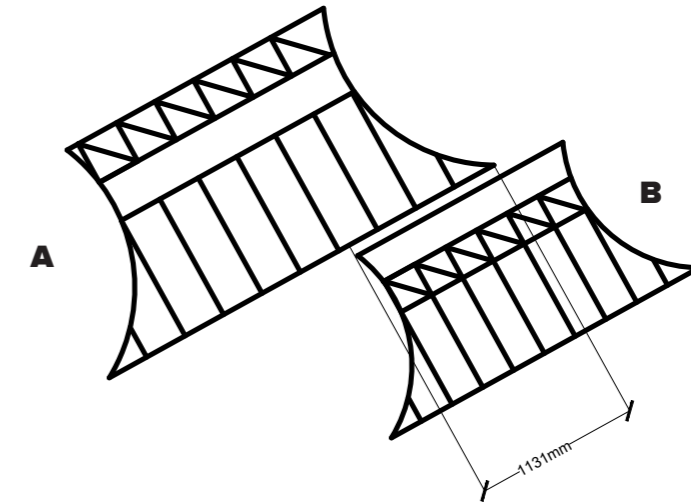
SCALE 1:50M



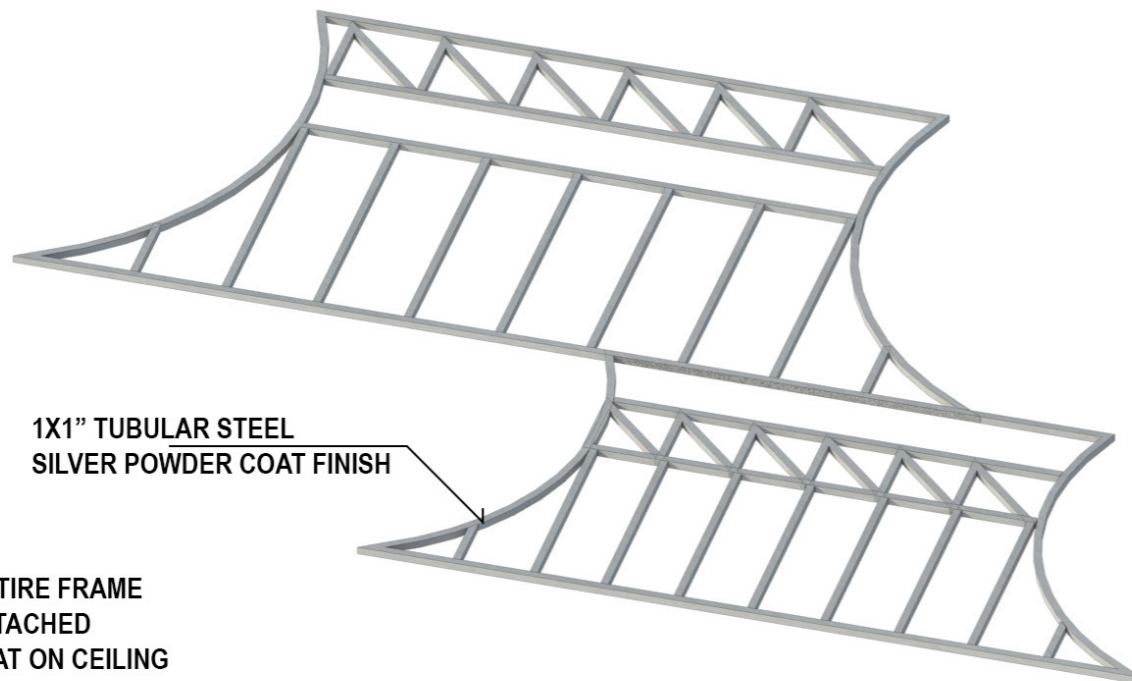
### LEGEND

- B2 - MEDIUM BOAT (2X1.5M)
- B3 - SMALL BOAT (1.2X1.0M)
- J1 - 0.30M DIA. JELLYFISH FIXTURE
- J2 - 0.20M DIA. JELLYFISH FIXTURE

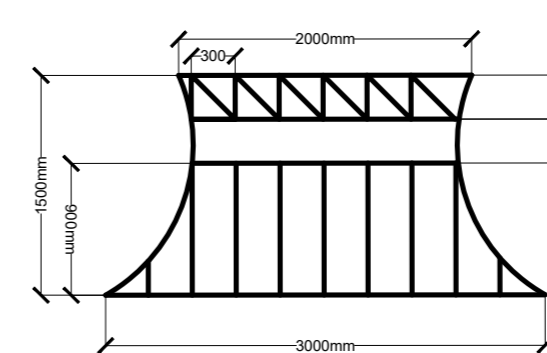
## CONFIGURATION



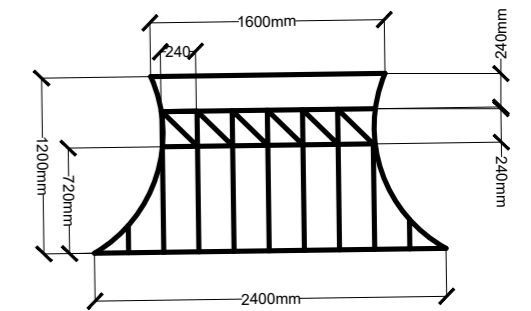
## ISOMETRIC DETAIL



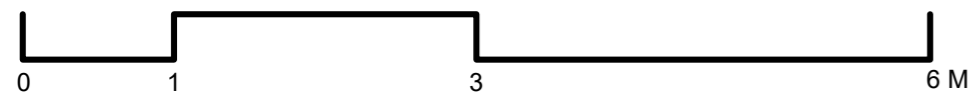
## INDIVIDUAL COMPONENTS



**A**  
(1 pc)



**B**  
(1 pc)





PERSPECTIVE B